

2 Movement Swivel & Tilt LCD/PLASMA Wall Mount

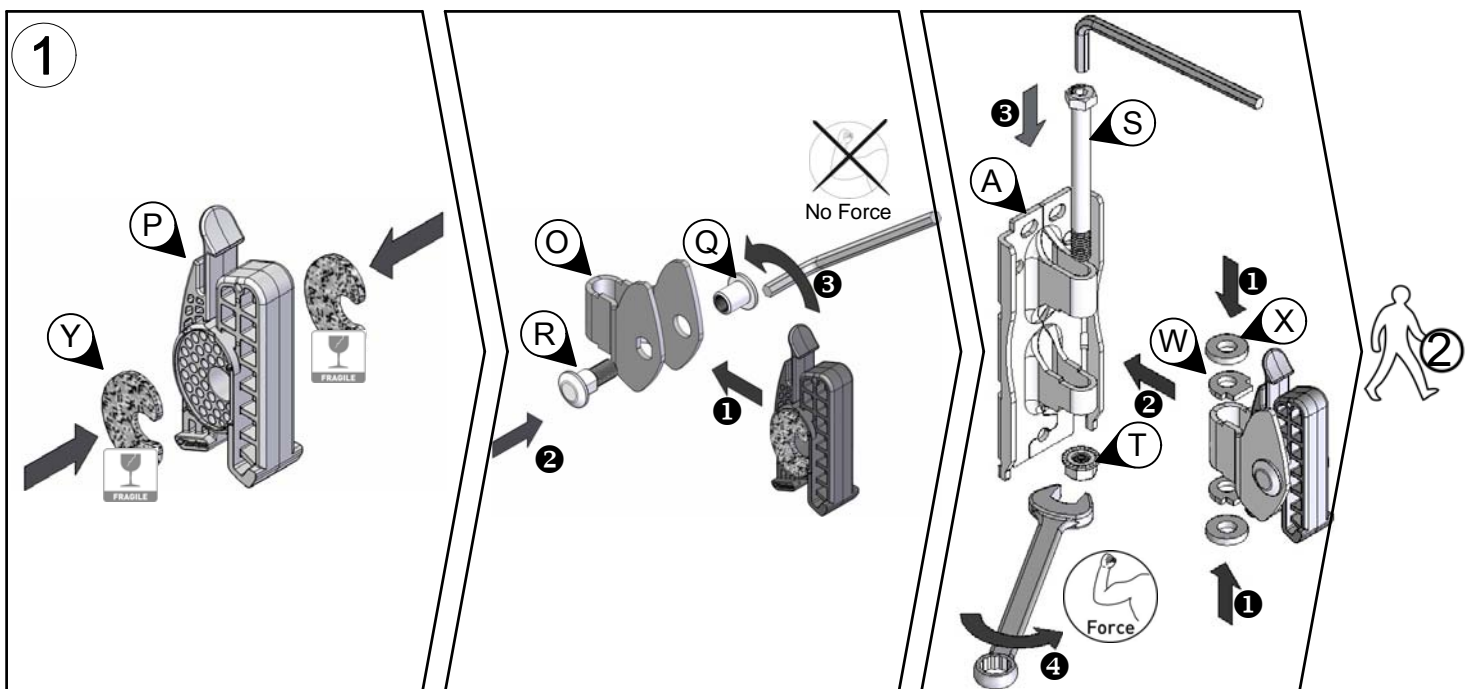
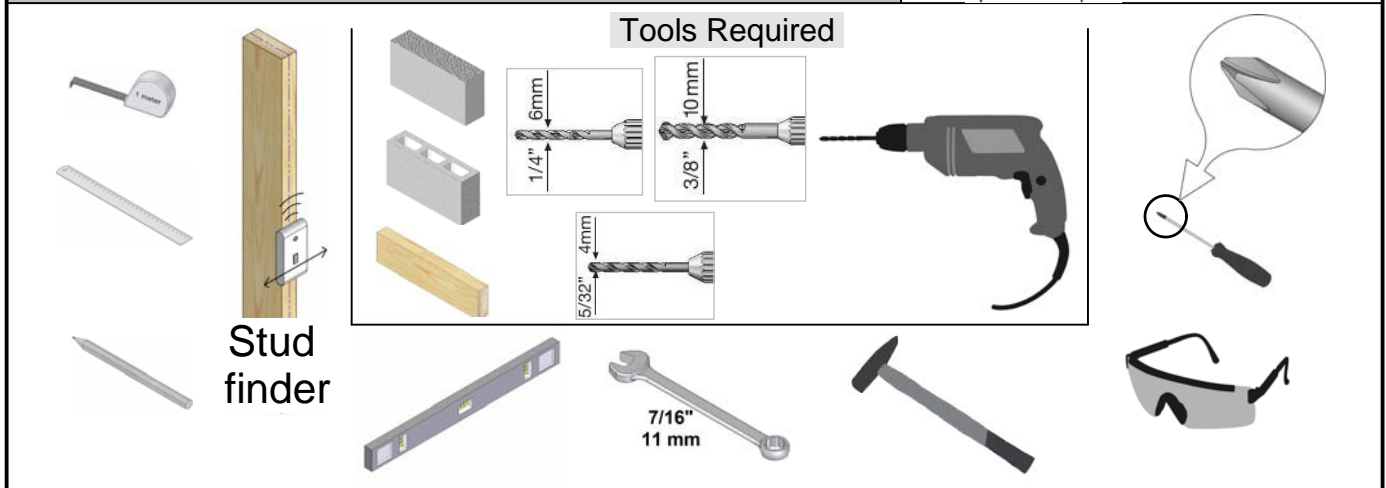
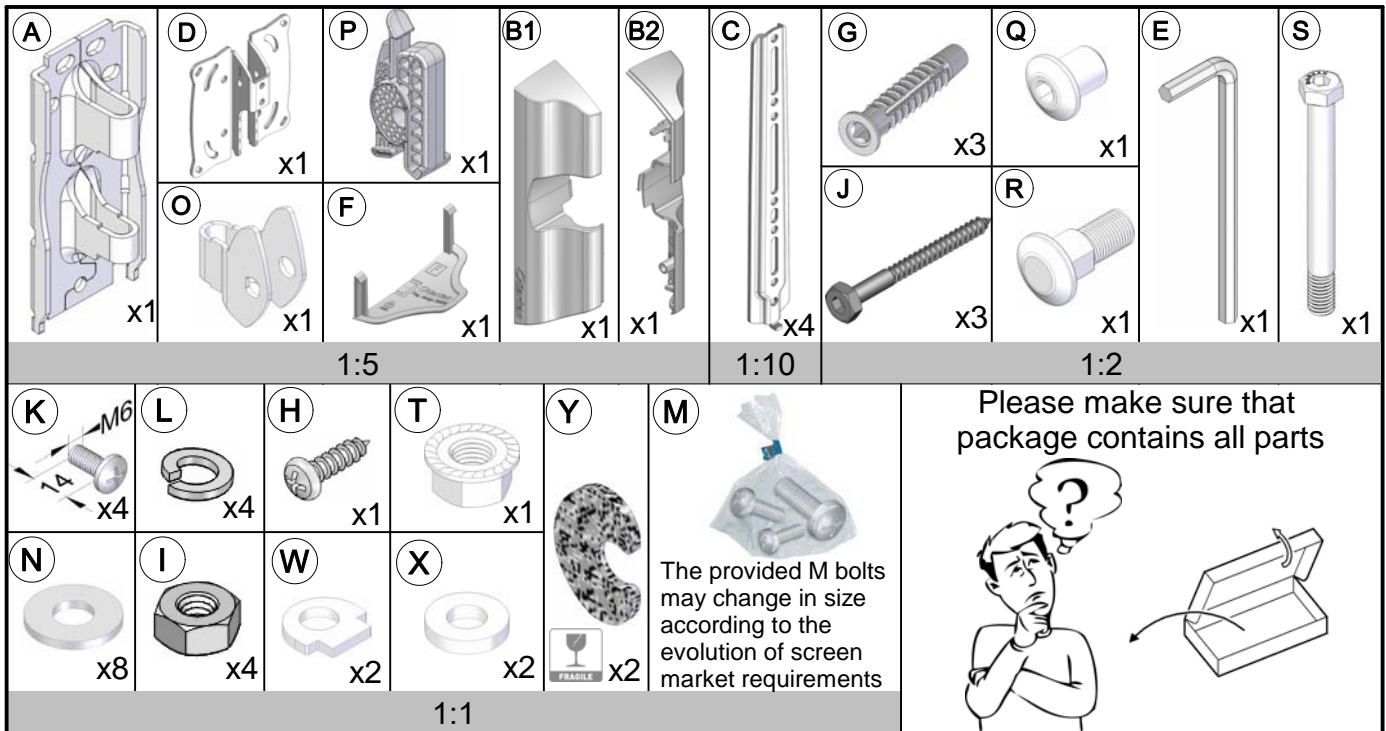
Assembly instructions

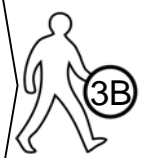
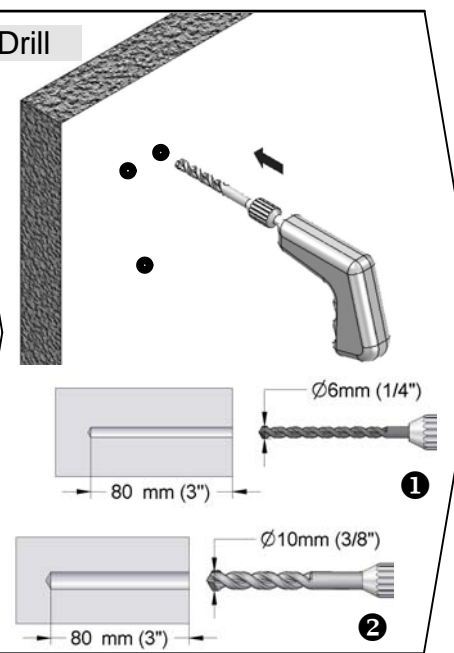
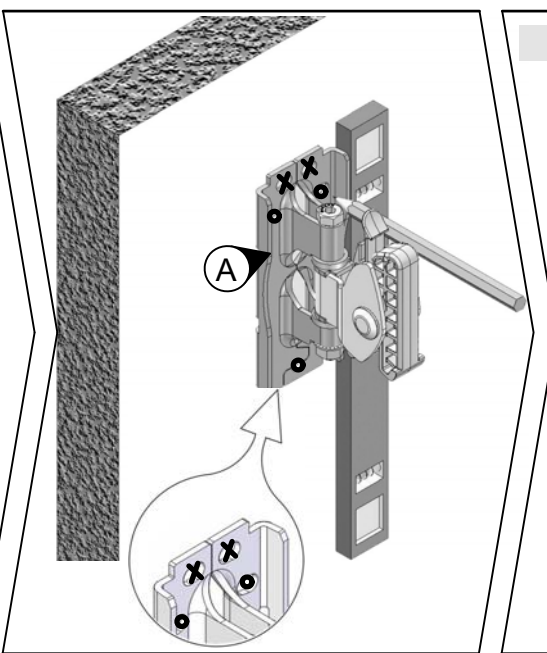
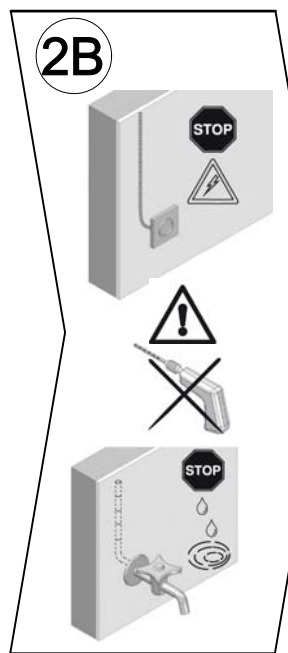
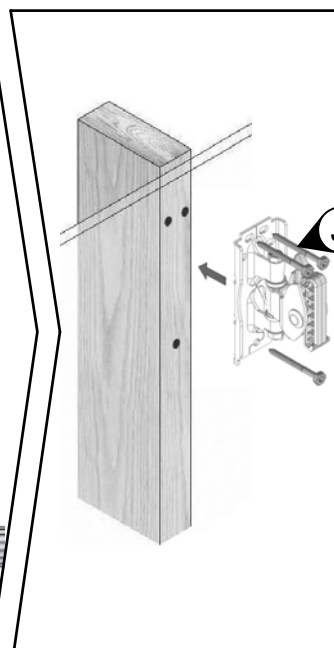
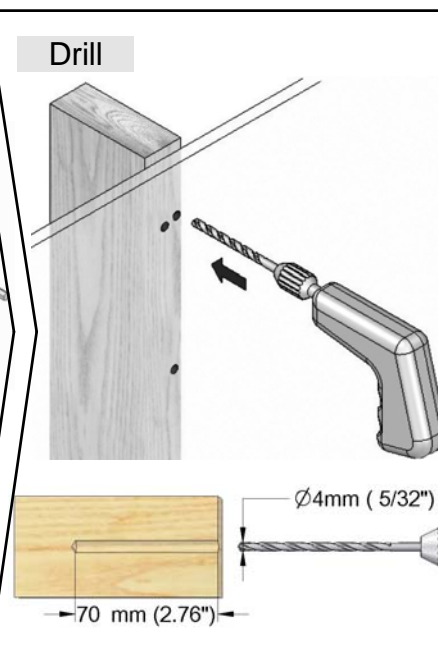
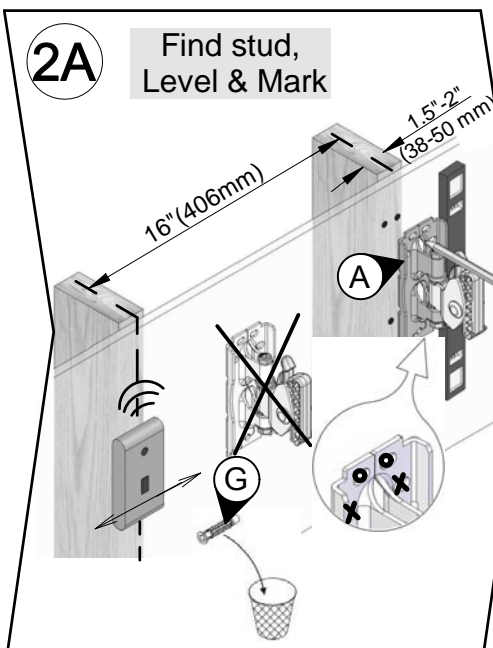
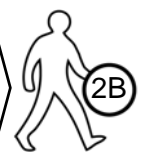
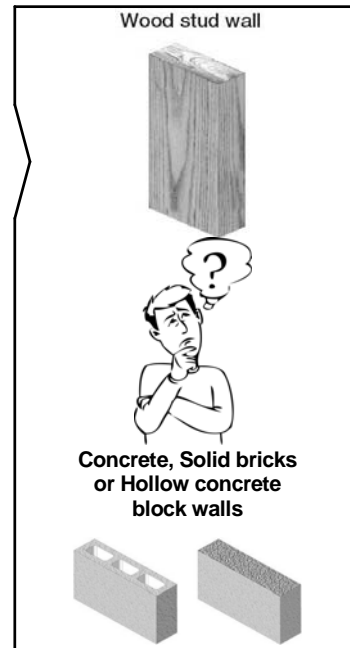
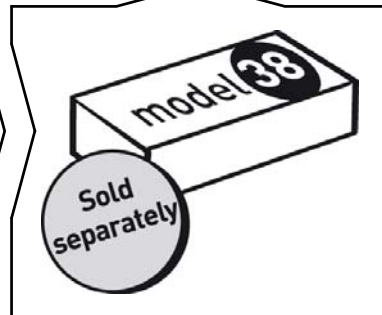
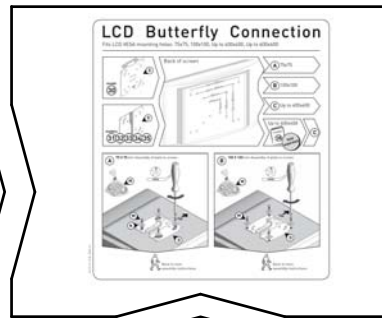
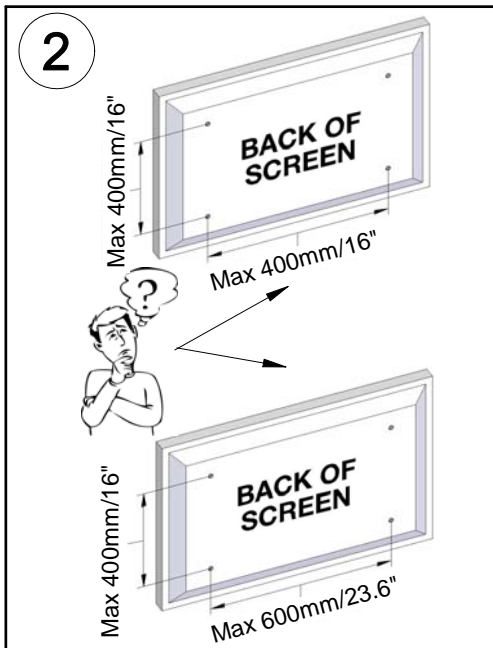


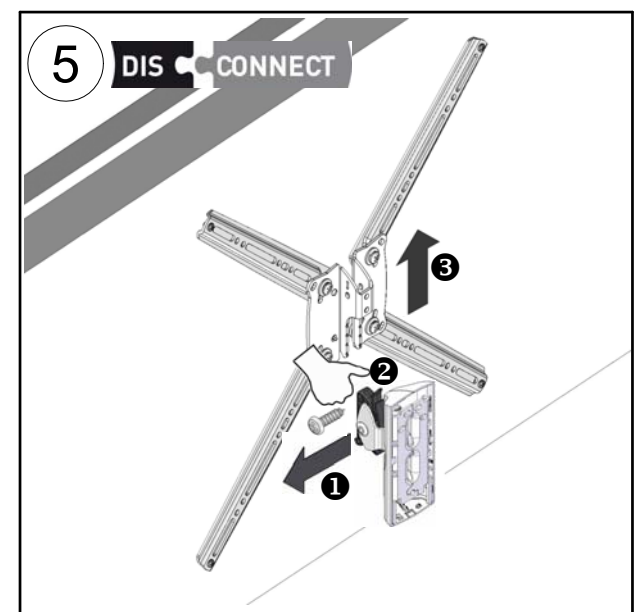
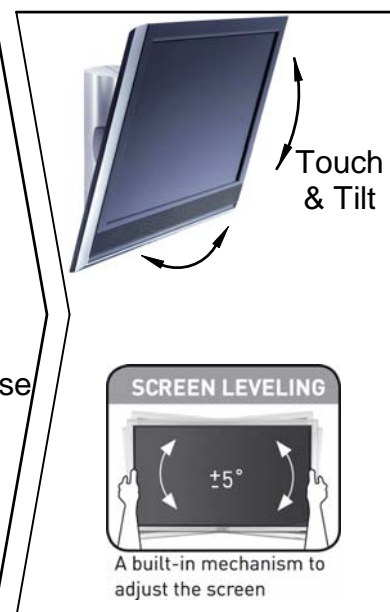
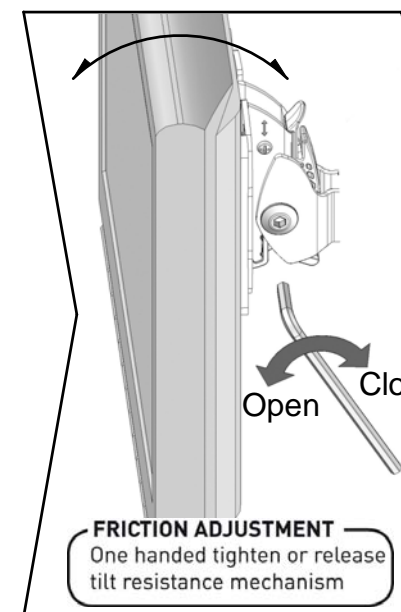
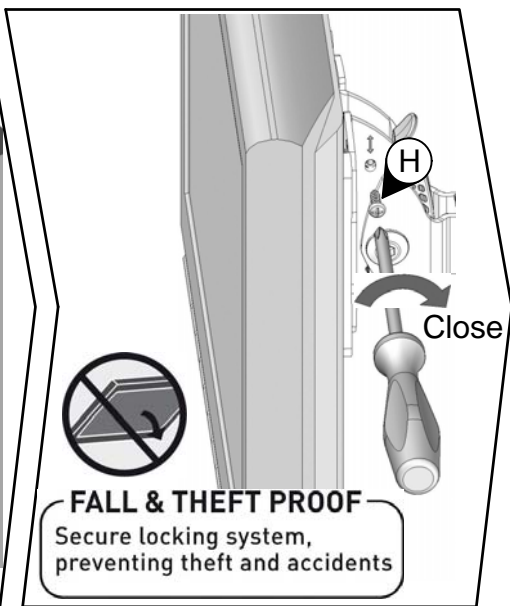
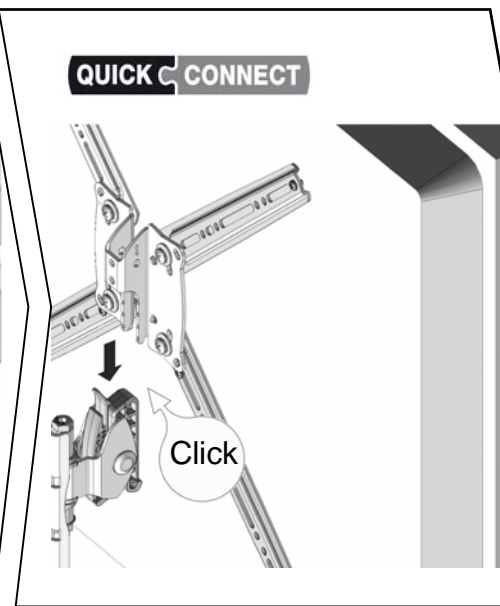
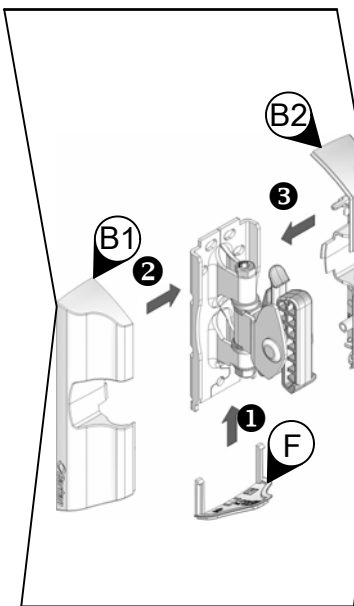
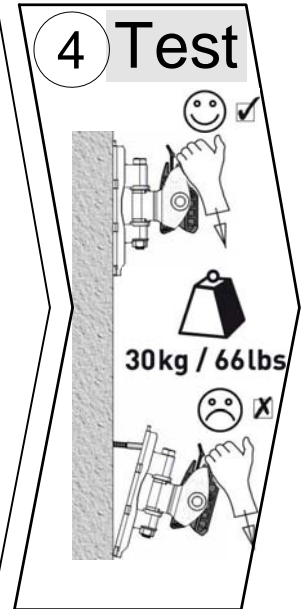
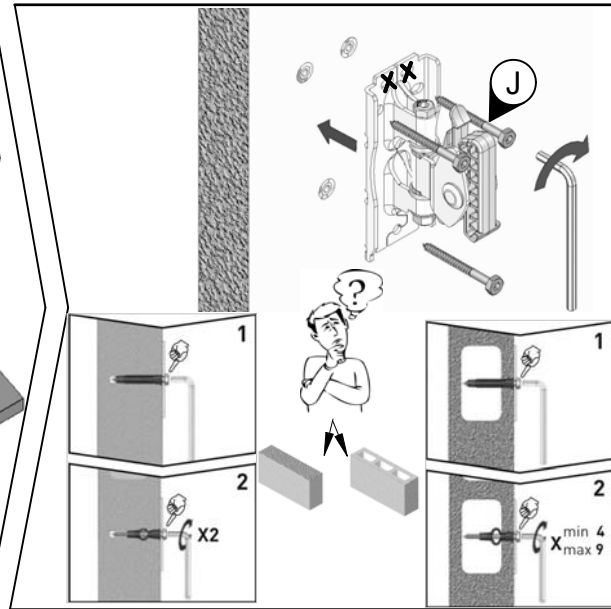
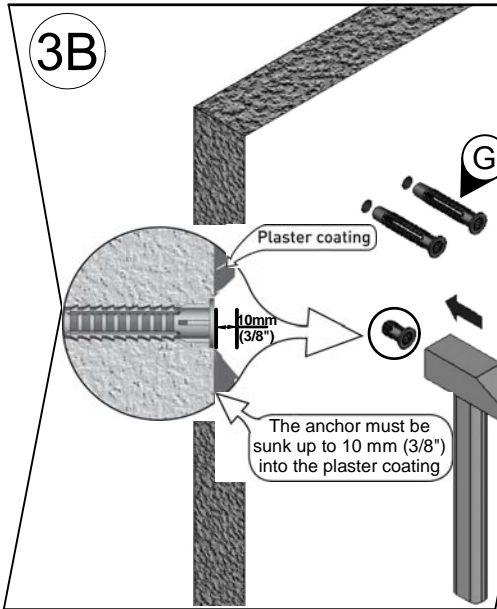
model
32

⚠ CAUTION - This LCD/Plasma mount is intended for use only with the maximum weights indicated. Use with products heavier than the maximum weights indicated may result in instability causing possible injury.

Fits Up to 42" 107cm LCD/Plasma	Max	
	US 66 lbs	EU 30kg







Dear customer, we welcome your comments and suggestions to improve our products, ease of assembly and instructions. Please contact us via our website: www.barkanmounts.com